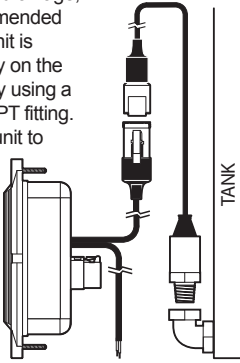


**Note:**

This calibration procedure must be performed to ensure that the indicated fluid levels on the display accurately match the actual levels in the tank. The tank can be full or empty to begin calibration, but must be filled before beginning Step 4. To ensure proper calibration, do not have water in the fill tower.

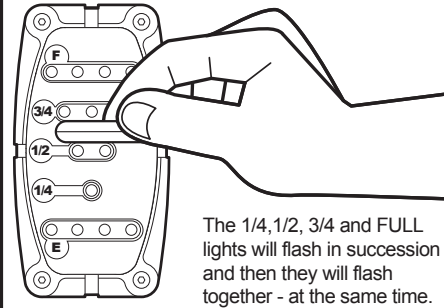
### Step 1: Install Tank Sender Unit

To ensure proper drainage, it is highly recommended that the sender unit is mounted vertically on the side of the tank by using a 90 degree 1/4" NPT fitting. Connect sender unit to the display and the display to a 12 or 24 volt power source. Go to Step 2.



### Step 2: Initiate Calibration

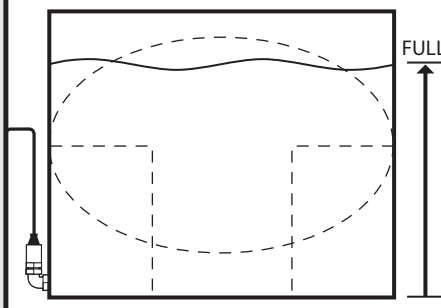
Within 1 min. of powering up the unit, place the magnet over the master display between the 1/2 and 3/4 levels.



The 1/4, 1/2, 3/4 and FULL lights will flash in succession and then they will flash together - at the same time.

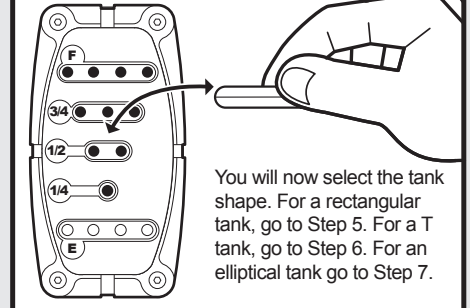
### Step 3: Calibrating The Probe

With the 1/4, 1/2, 3/4 and FULL lights all flashing, fill tank - if not yet full. For a level-by-level calibration, do not fill tank and go to alt. instructions on page 2.



### Step 4: Tank Selection Mode

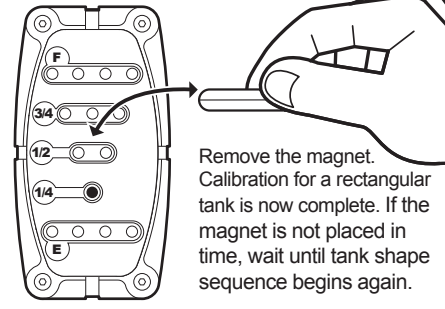
Place the magnet over the display between 1/2 and 3/4 levels. The level lights will flash in sequence upward beginning the tank selection mode.



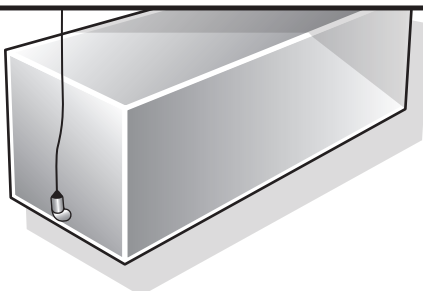
You will now select the tank shape. For a rectangular tank, go to Step 5. For a T tank, go to Step 6. For an elliptical tank go to Step 7.

### Step 5: Rectangular Tank

When the 1/4 level light begins to flash, place the magnet back onto the master display before the lights flash for the fifth time.

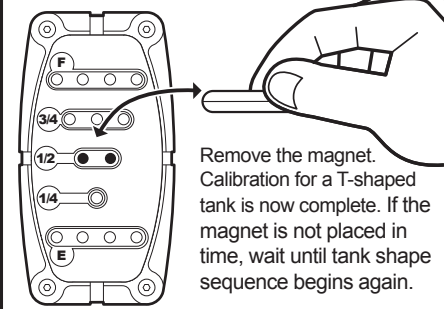


Remove the magnet. Calibration for a rectangular tank is now complete. If the magnet is not placed in time, wait until tank shape sequence begins again.

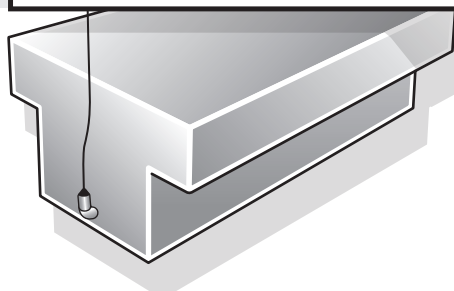


### Step 6: T-Shaped Tank

When the 1/2 level lights begin to flash, place the magnet back onto the master display before the lights flash for the fifth time.

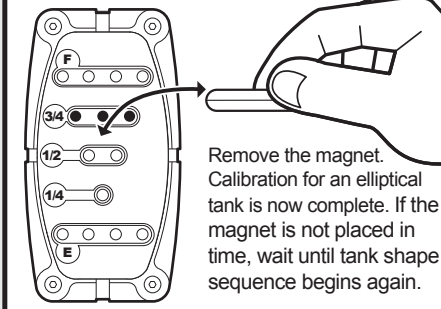


Remove the magnet. Calibration for a T-shaped tank is now complete. If the magnet is not placed in time, wait until tank shape sequence begins again.

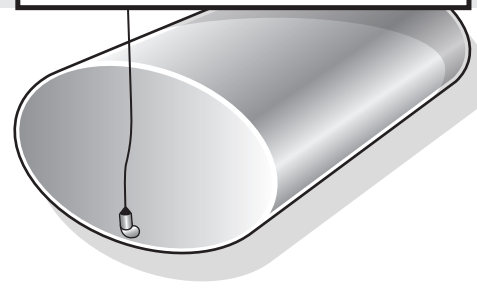


### Step 7: Elliptical Tank

When the 3/4 level lights begin to flash, place the magnet back onto the master display before the lights flash for the fifth time.



Remove the magnet. Calibration for an elliptical tank is now complete. If the magnet is not placed in time, wait until tank shape sequence begins again.



**Notes:**

If the magnet is not placed in front of the display to select a tank shape, the tank selection sequence will continue and the FULL light will flash 5 times. After the FULL light flashes 5 times the tank shape selection sequence will begin again. (Step 5) The tank shape selection sequence will repeat 3 times. If no tank shape selection is made in this time, the display will default to a rectangular tank.

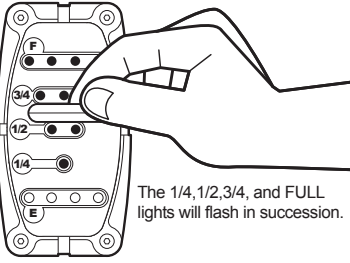
If the display was calibrated incorrectly, remove power from the display and repeat the process. Recalibration can not occur without cycling power.

**Note:**

If none of the 3 calibration modes described on the previous page is acceptable, use this special calibration mode to set each of the water or foam levels independently. Perform Steps 1, 2, and 3 on previous page before starting Alt. Step 4.

**Alt. Step 4**

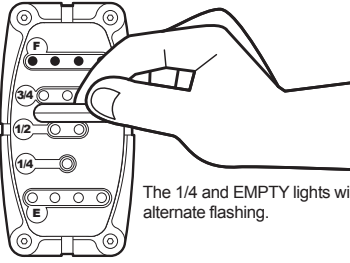
With the tank empty and the 1/4, 1/2, 3/4 and FULL lights flashing, place the magnet over the master display between the 1/2 and 3/4 levels.



The 1/4, 1/2, 3/4, and FULL lights will flash in succession.

**Alt. Step 5**

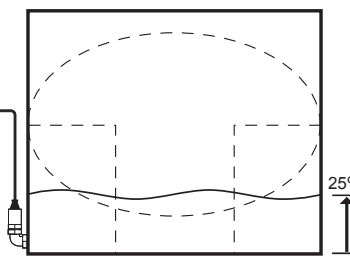
Wait until the FULL level is flashing and place the magnet over the display.



The 1/4 and EMPTY lights will alternate flashing.

**Alt. Step 6**

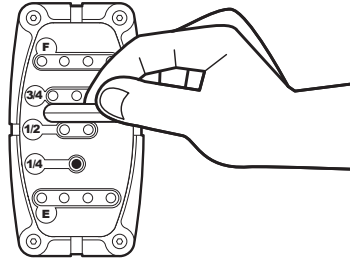
Fill the tank to the desired 25% level. Check level visually or by measuring depth.



25%

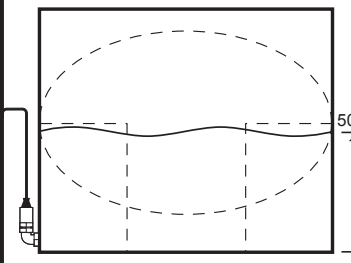
**Alt. Step 7**

Place the magnet over the display. The 1/4 lights will stay on while the 1/2 lights begin to flash.



**Alt. Step 8**

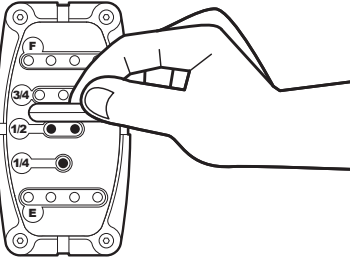
Fill the tank to the desired 50% level. Check level visually or by measuring depth.



50%

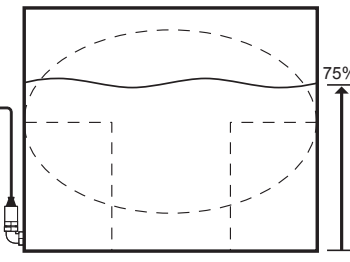
**Alt. Step 9**

Place the magnet over the display. The 1/4 and 1/2 lights will be on while the 3/4 lights begin to flash.



**Alt. Step 10**

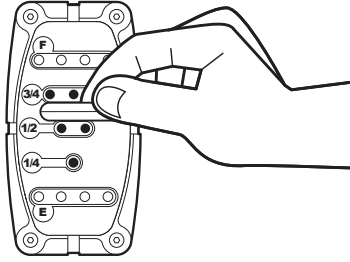
Fill the tank to the desired 75% level. Check level visually or by measuring depth.



75%

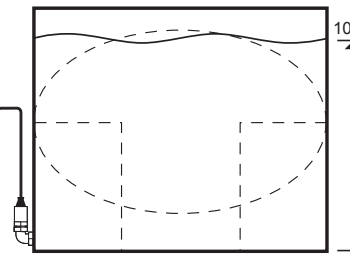
**Alt. Step 11**

Place the magnet over the display. The 1/4, 1/2 and 3/4 lights will be on while the FULL lights begin to flash.



**Alt. Step 12**

Fill the tank to the desired FULL level.



100%

**Alt. Step 13**

Place the magnet over the display to complete the alternate calibration process.

